

GAMMA 800 M

GAMMA 800 M is the manual lifting table in which lifting is obtained by means of a double effect manual pump; with a capacity of 800 Kg and lifting of up to 1475 mm,

it is the ideal equipment for the service to machine tools and operators.

ADVANTAGES

MANUAL LIFTING TRACTION:

Thanks to the traction solution (through push handle) and manual lifting, it represents the ideal solution for the service to machines in any part of the company, even in areas without power supply.

REDUCED DIMENSIONS:

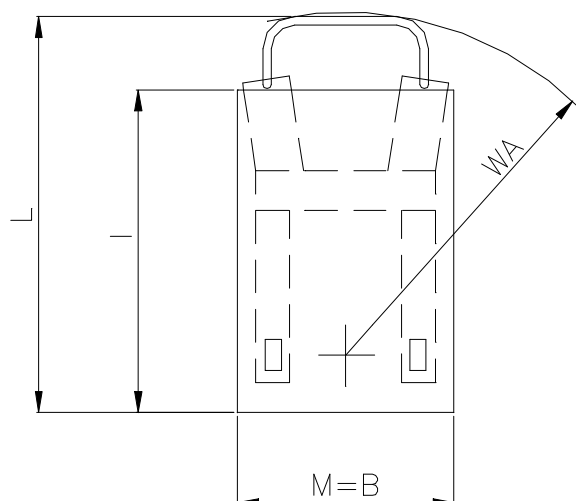
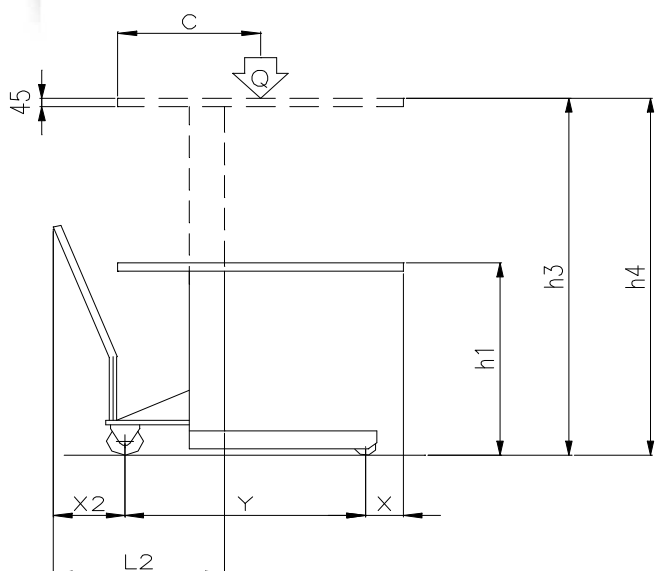
Thanks to the lifting system with piston in vertical position, without pantograph structure, it is possible to contain the dimensions; GAMMA 800 M thus becomes the ideal tool as work table for the operator or service to the machine tools.

STANDARD EQUIPMENT

- ▶ Manual traction.
- ▶ Lifting with double effect manual pump.
- ▶ Parking brake.
- ▶ Polyamide wheels with polyurethane covering.
- ▶ Chromed piston.
- ▶ Pins assembled on sintered bushings



GAMMA 800



Technical sheet GAMMA 800 M

Specifications	Producer	Armanni	
	Models	Gamma 800 M	
	Capacity	Q (Kg)	800
	Traction	Manual	
	Driving	/	
	Weight	Kg	134
	Wheels front/rear	solid/solid	
Dimension	Lifting	h3(mm)	1475
	Length	L(mm)	980
	Length	L2(mm)	620
	Width	B (mm)	750
	Closed mast height	h1 (mm)	700
	Opened mast height	h4 (mm)	1475
	Turning radius	Wa (mm)	925
	Distance of the loading	X (mm)	90
	Storage corridor*	mm	/
	Distance between axles	y (mm)	700
Performances	Lifting motor	Kw	/
	Brakes	Manual	
	Battery	Ah	/
	Weight	Kg	/
	Battery charger	12 V	/

* Excluding the area of safety for operator