

# ALFA MGF evo | ALFA MGL evo

Drum, Barrel and Tank Handling

Capacity (kg): 300 (more capacity on demand) Lifting Height (mm): 1880/1660 (higher lifting on demand)

## ALFA MGF evo

The ideal solution to safely lift, transport, fill and empty drums and cylindrical containers. A mechanical clamp secures drums of varying diameters, and a hand operated turner precisely controls the forward rotation.



## ALFA MGL evo

Version with hand operated turner that rotates and empties the drum to the side of the truck.

## ATTACHEMENTS FOR SPECIAL APPLICATIONS

Features in detail: \_\_\_\_\_



### MANUAL CLOSING:

A hand wheel closes the manual clamp and adjusts for different drum diameters.



### MANUAL REDUCTION GEAR:

Hand operated mechanical rotator with reduction gears allows turning the drum with very little effort.

# ALFA MRF evo | ALFA MRL evo

Tilting of industrial containers and cases

Capacity (kg): 400 Lifting Height (mm): N.D.

## ALFA MRF evo FRONTAL TILTER

The tilting forks make the picking of parts from containers safe and easy.

A hand operated pump tilts the load up to 85° to reach the bottom of the container.



## ALFA MRL evo LATERAL TILTER

Side load tilting option with +/- 20° tilting angle.

## ATTACHEMENTS FOR SPECIAL APPLICATIONS

Features in detail: \_\_\_\_\_



### CUSTOM SOLUTIONS:

Armanni will customize the width and length of the forks to perfectly suit non-standard containers.



### MANUAL OPERATION:

A safe and easy to use hand hydraulic pump powers the lifting or tilting function.

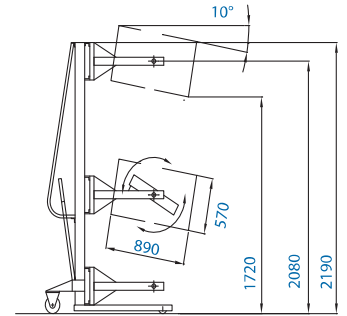
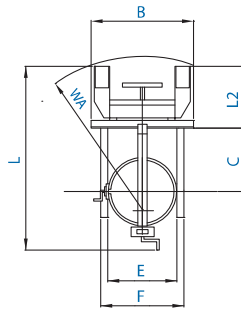


## ALFA MGF evo

model	MGF
Q	Kg 300
C	mm 685
I	mm /
L	mm 1550
X	mm 405
Y	mm 1100
L2	mm 585
E	mm 650
F	mm 750
h1	mm 1990
h2	mm 1880
h3	mm 1880
h4	mm 2000
B	mm 800
WA	mm 1190

### STANDARD EQUIPMENT

- Manual drum tipper with reducer (300 kgs capacity)
- Lifting by fast manual pump (without load)
- Descent by lever
- 360° frontal drum rotation
- Parking brake
- Polyurethane single roller
- Polyamide wheels with polyurethane covering
- Safety components
- Manual traction

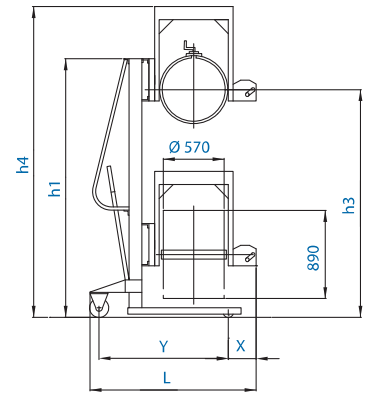
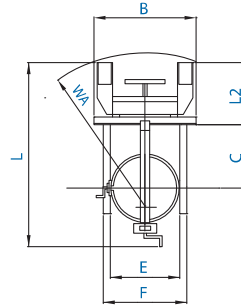


## ALFA MGL evo

model	MGL
Q	Kg 300
C	mm 370
I	mm /
L	mm 1465
X	mm 280
Y	mm 1115
L2	mm 585
E	mm 650
F	mm 750
h1	mm 1990
h2	mm 1330
h3	mm 1660
h4	mm 2300
B	mm 800
WA	mm 1190

### STANDARD EQUIPMENT

- Manual drum tipper with reducer (300 kgs capacity)
- Lifting by fast manual pump (without load)
- Descent by lever
- 360° lateral drum rotation
- Parking brake
- Polyurethane single roller
- Polyamide wheels with polyurethane covering
- Safety components
- Manual traction

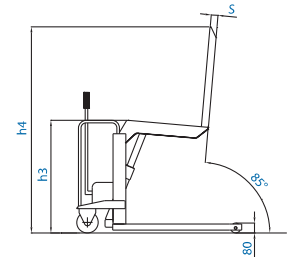
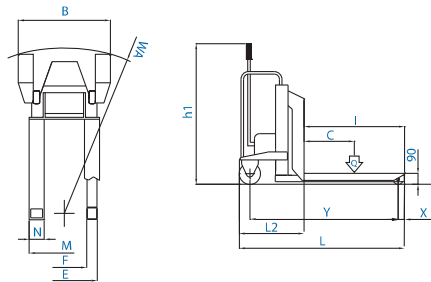


## ALFA MRF evo FRONTAL TILTER

model	FRONTAL
Q	Kg 1000
C	mm 400
I	mm 800
L	mm 1315
X	mm 50
Y	mm 1195
L2	mm 515
M	mm 560
N	mm 120
h1	mm 1120
h2	mm 900
h3	mm 1645
h4	mm 735
B	mm 530
F	mm 355
S	mm 55
WA	mm 1320

### STANDARD EQUIPMENT

- Rated capacity 1000 Kgs
- Manual drum tipper with reducer (300 kgs capacity)
- Lifting by fast manual pump (without load)
- Descent by lever
- Fixed forks length mm. 800
- 85° max. tilting frontal angle
- Parking brake
- Polyurethane single roller
- Polyamide wheels with polyurethane covering
- Safety components
- Manual traction



## ALFA MRL evo LATERAL TILTER

model	LATERAL
Qf	Kg 1000
Qr	Kg 400
C	mm 450
I	mm 900
L	mm 1420
X	mm 176
Y	mm 1140
L2	mm 520
M	mm 445
N	mm 30
h1	mm 1230
h2	mm 800
B	mm 755
E	Kg 724
F	mm 540
S	mm 70
WA	mm 1265
â	mm 20°

### STANDARD EQUIPMENT

- Rated capacity 1000 Kgs (Qf)
- Side tilter capacity 400 Kgs (Qr)
- Manual drum tipper with reducer (300 kgs capacity)
- Lifting by fast manual pump (without load)
- Descent by lever
- Fixed forks length mm. 800
- Tilting angle from -20° to +20°
- Parking brake
- Polyurethane single roller
- Polyamide wheels with polyurethane covering
- Safety components
- Manual traction

