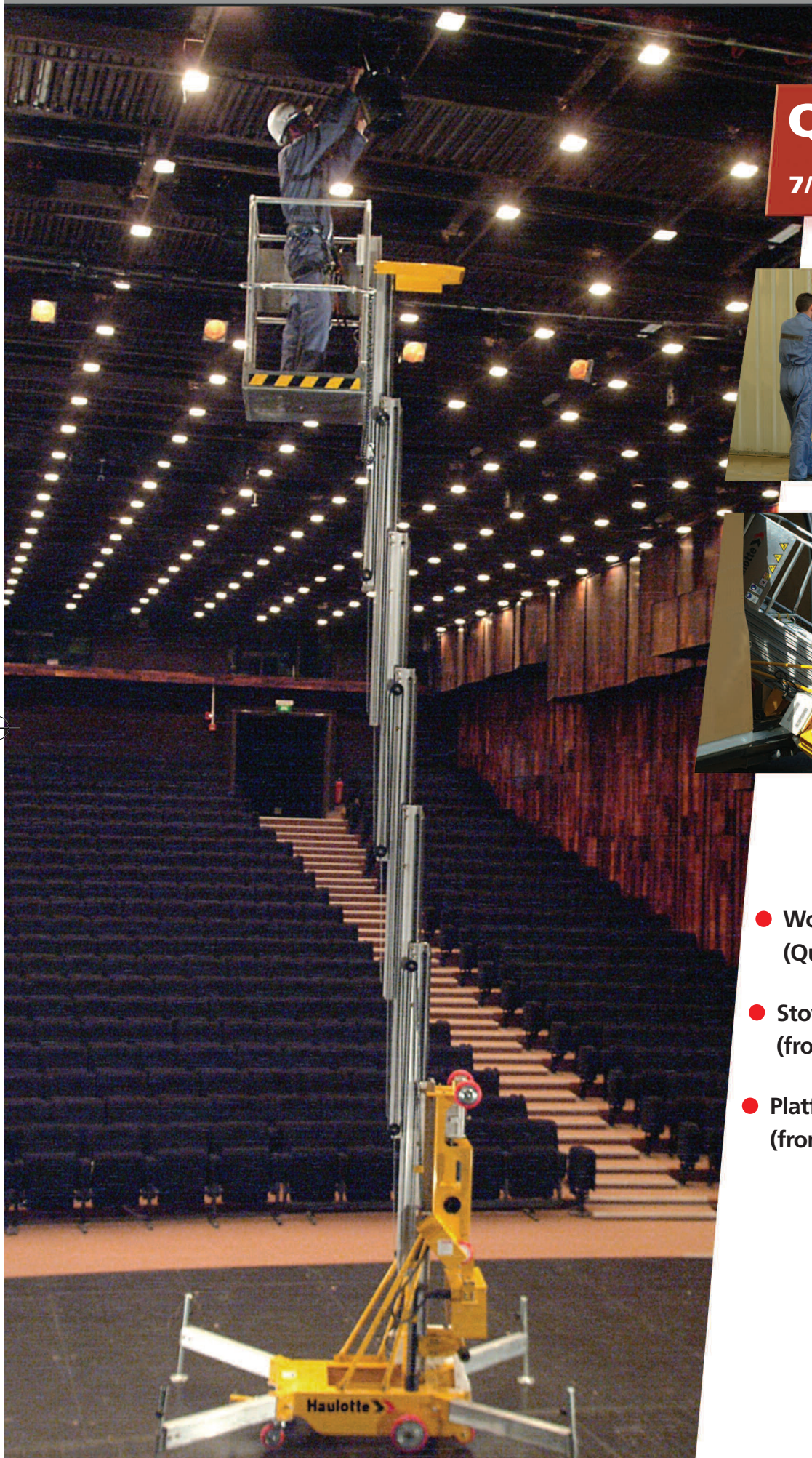


Q U I C K U P

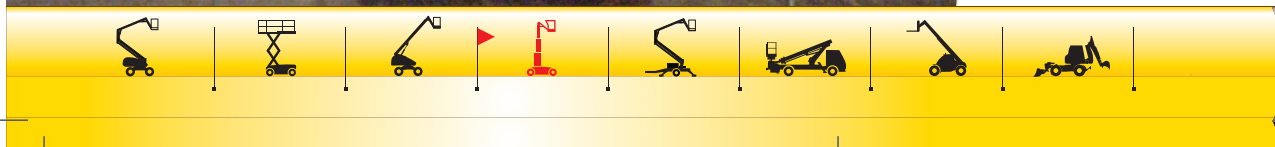


Quick Up

7/8/9/11/12/13/14



- Working height 45 ft 7in / 13,90 m (Quick Up 14)
- Stowed height 6 ft 6in / 1,97 m (from Quick Up 8 to 12)
- Platform capacity 351 lbs / 159 kg (from Quick Up 8 to 12)



Quick Up

The Haulotte® advantages

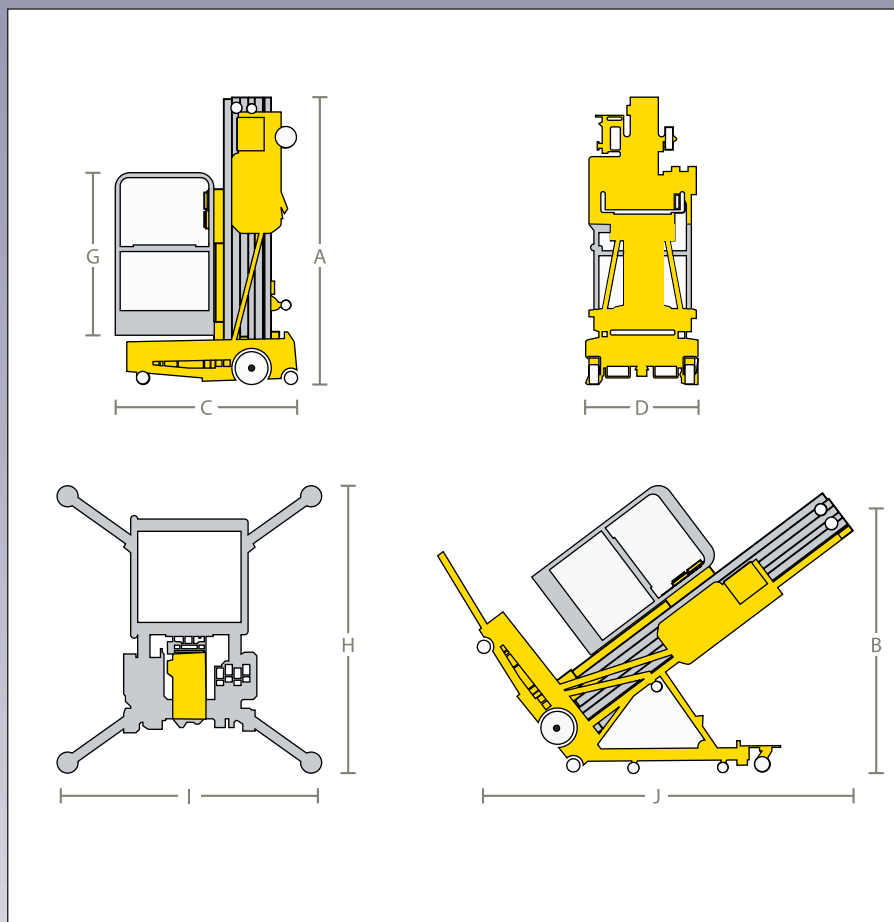
- Easy to install and set up.
- Easy "stand up" access through flip up top rail into basket.
- Only one man for loading and unloading.
- The Quick Up compact dimensions allows access through standard doorways.
- The Quick Up low weight allows works on fragile grounds.
- Cage and mast in aluminium.

STANDARD FEATURES

- Push button controls.
- 220V A/C power to platform.
- Ac power available.
- Emergency stop button.
- Outriggers indicator lights.
- Manual emergency valve.

OPTIONS

- DC power available



SPECIFICATIONS

	QUICK UP 7	QUICK UP 8	QUICK UP 9	QUICK UP 11	QUICK UP 12	QUICK UP 13	QUICK UP 14
Working height	6.5 m / 21ft 4in	7.9 m / 25ft 11in	9.3 m / 30ft 6in	10.7m / 35ft 1in	12.0m / 39ft 4in	12.8m / 42ft 0in	13.9 m / 45ft 7in
Platform height	4.5m / 14ft 9in	5.9m / 19ft 4in	7.3m / 23ft 11in	8.7m / 28ft 7in	10.0m / 32ft 10in	10.8m / 35ft 5in	11.9m / 39ft 1in
Platform capacity	159 kg / 351 lb				136 kg / 300 lb		
Max Platform size	0.66 m x 0.68 m / 26 in x 27 in						
Ⓒ Stowed length	1.21m / 4ft 0in	1.27m / 4ft 2in	1.34m / 4ft 5in	1.4m / 4ft 7in	1.46m / 4ft 9in	1.34m / 4ft 5in	1.4m / 4ft 7in
Ⓓ Stowed width	0.74m / 2ft 5in					0.80m / 2ft 7in	
Ⓐ Stowed height	1.97m / 6ft 6in					2.77m / 9ft 1in	
Ⓔ Guardrails height	1.1m / 3ft 7in						
Ⓘ x Ⓜ Outriggers footprint	1.40 m x 1.70 m 55 in x 67 in		1.60 m x 1.90 m 63 in x 75 in		1.81 m x 2.10 m 73 in x 85 in		2.02 m x 2.32 m 87 in x 91 in
Ⓛ x Ⓝ Tilt bar	N/A					2.82 m x 1.97 m / 111 in x 78 in	
Energy (AC)	110V ou 220V						
Weight (AC version)	326 kg / 719 lbs	346 kg / 763 lbs	366 kg / 807 lbs	401 kg / 884 lbs	440 kg / 970 lbs	461 kg / 1017 lbs	545 kg / 1202 lbs
Energy (batteries)	12V						
Weight (batteries version)	366 kg / 807 lbs	386 kg / 851 lbs	406 kg / 895 lbs	441 kg / 972 lbs	480 kg / 1058 lbs	501 kg / 1105 lbs	585 kg / 1290 lbs

AS 1418.10



HAULOTTE UK LTD • TEL : +44 (0)1952 292753 • www.haulotte.co.uk
 HAULOTTE SCANDINAVIA AB • TEL : +46 31 744 32 90 • www.haulotte.se
 HAULOTTE AUSTRALIA PTY LTD • TEL : +61 (0)3 9706 6787 • www.haulotte.au
 HAULOTTE SINGAPORE PTE LTD. • TEL : +65 6546 6150 • www.haulotte.sg
 HAULOTTE POLSKA SP. Z.O.O. • TEL : +48 22 885 65 17 • www.haulotte.pl

HAULOTTE TRADING (SHANGHAI) CO. LTD. • TEL : +86 21 6288 8228 • www.haulotte.cn
 HAULOTTE NEW ZEALAND • TEL : +64 (0)9 277 6612 • www.haulotte.au
 HAULOTTE MIDDLE EAST FZE • TEL : +971 (0)4 299 77 35 • www.haulotte-international.com
 HAULOTTE VOSTOK, OOO • TEL : +7 495 730 0580, +7 962 924 69 80 • www.haulotte-international.com

Haulotte 
GROUP