



Performance

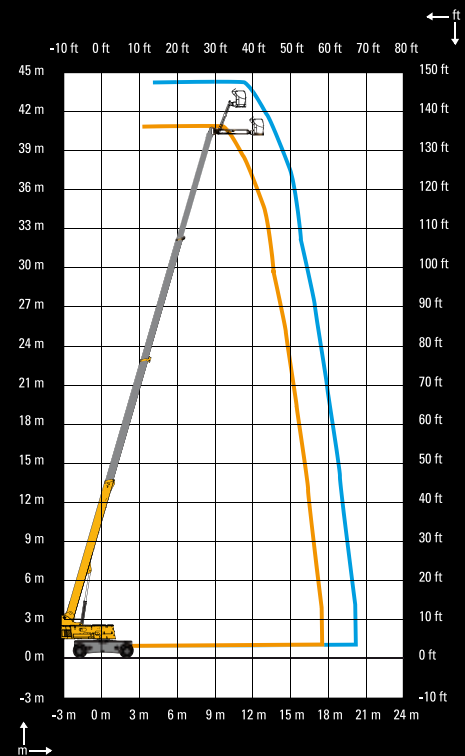
- 42.2 m working height
- 20m maximum outreach
- Load capacity: 230 kg (3 person) /450 kg (2 person)
- 2 axis jib rotation, 150° horizontal and 140° vertical

Productivity

- Strong, quick and manoeuvrable boom
- Compact and easy to transport
- Faster lifting to full height
- Unequalled all terrain capabilities

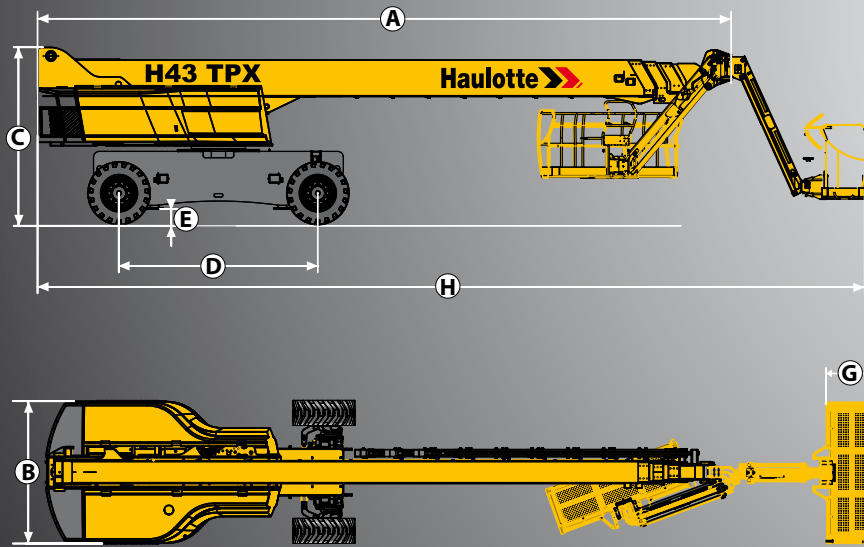
Easy to use

- Continuous movement control
- Continuous outreach control
- Smooth and precise controls



H 43 TPX

ROUGH TERRAIN TELESCOPIC BOOMS



TECHNICAL DATA

H 43 TPX

Working height	42.2 m
Platform height	40.2 m
Horizontal outreach	20 m
Lift capacity	230 - 450 kg
F x G - Platform size	2.44 x 0.8 m
A - Length	14.5 m
H - Length - transport	12.3 m
B - Overall width	2.5 m
C - Height - stowed	3.05 m
J - Height - transport	3.05 m
Vertical jib rotation	140° (+70/-70)
Platform rotation	180° (+90/-90)
Boom rotation angle	0°
Turntable rotation	360°
Tailswing	158 cm
D - Wheelbase	3.5 m
E - Ground clearance	38 cm
Tilt	3°
Drive speed	0.5 - 5 km/h
Gradeability	40 %
Turning radius - outside	5.1 m
Tires - foam-filled	445/65-22.5
Engine	62 kW - 84.2 hp
Weight	20600 kg

STANDARD EQUIPMENT

- Proportional and simultaneous controls
- 4 wheel drive and steer
- 2 extendable axles
- Oscillating axle
- Swing out engine tray for ease of maintenance
- 12 V battery / electrical control system
- Auxiliary power in platform
- Differential lock
- Hourmeter
- Mechanical turret slewing hook
- Towing hooks
- Outside use: withstand winds up to 45 km / h
- Sound and light signal for tilt and weighing
- Gull wing style cowlings

OPTIONS AND ACCESSORIES

- Onboard generator 3.3 kw and 9 kw
- 230V / 115V - 16A power platform
- Biodegradable hydraulic oil
- Travel alarm
- Rotating beacon
- Working light



Haulotte 
GROUP