

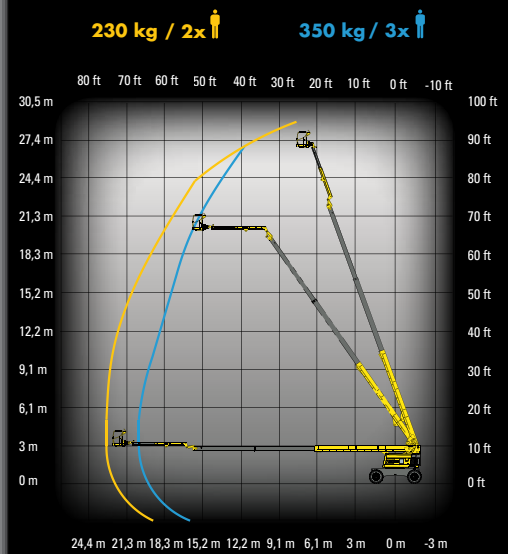


Exceptional productivity:

- Telescopic jib provides 6 m (19 ft 8 in) additional outreach which is extremely practical for accessing work areas and for getting around obstacles!
- 3 simultaneous and proportional movements
- Double load capacity: 350 kg / 772 lbs (3 people) or 230 kg / 507 lbs (2 people)
- Tailswing of 72 cm / 29 in for more compactness

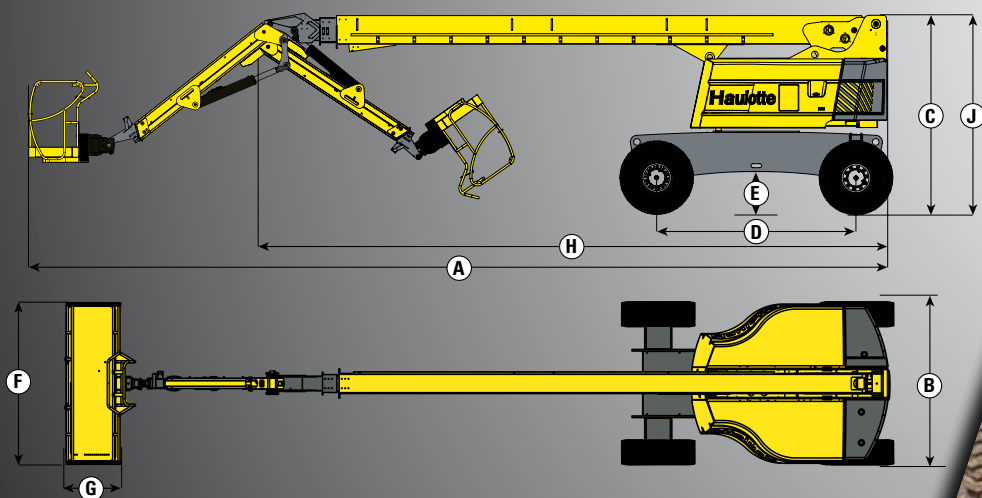
Optimal rough terrain driving features:

- 4 wheel drive
- Rear oscillating axle
- Differential wheel lock
- Ground clearance of 54 cm / 22in



H 28 TJ+

TELESCOPIC BOOM LIFTS



TECHNICAL DATA

H 28 TJ+

Working height	28.2 m
Platform height	26.2 m
Horizontal outreach	22.6 m
Lift capacity	230 - 350 kg
F x G - Platform size	1.8 x 0.8 m
A - Length	12.35 m
H - Length - transport	9.45 m
B - Overall width	2.49 m
C - Height - stowed	2.95 m
J - Height - transport	2.95 m
Vertical jib rotation	140° (+70/-70)
Platform rotation	180° (+90/-90)
Boom rotation angle	70°
Turntable rotation	360°
Tailswing	72 cm
D - Wheelbase	3 m
E - Ground clearance	54 cm
Tilt	4°
Drive speed	0.5 - 5 km/h
Gradeability	40 %
Turning radius - outside	7.45 m
Tires - foam-filled	18-625
Engine	55 kW - 74.7 hp
Weight	17300 kg

STANDARD EQUIPMENT

- Vertical telescopic fly jib
- 3-section booms which fold down directly onto the turntable
- Telescopic jib in high elastic modulus steel and with octagonal cross section for rigidity
- The fixed-width frame allows the machine to be rapidly installed on site
- Hydrostatic transmission
- Automatic platform levelling
- Maintenance made easy: swing out engine tray
- Gull wing style cowlings
- Safe to use in winds up to 45km/h / 28mph
- Tilt controller
- Load Management System in the platform
- Auxiliary power in the platform for emergency descent
- Horn
- Hourmeter

OPTIONS AND ACCESSORIES

- Rotating beacon
- Travel alarm
- Working light
- Power to platform
- On-board generator
- Biodegradable hydraulic oil
- Panier large 2,44 x 0,80 m



Haulotte 
GROUP