

SUMNER[®]



EVENTER

THEATRICAL LIFTS

**FOR
LIFTING
LIGHTS &
SPEAKERS**

EVENTER — LIFTS FOR THE

Available in three styles, Eventer Theatrical Lifts all offer the features shown on this page.

Check the specifications on the back page and chose the Eventer that suites your needs. Sumner is an established manufacturer with over 30 years of designing and building quality lifting equipment for professional use.



All pulleys are covered to prevent cable from slipping off



Standard Eventer features:

- ✓ Blackened anodized mast
- ✓ Fits through standard doorways in stowed position
- ✓ No winch cable in operator's face
- ✓ Forks reverse for added height
- ✓ Large, rubber-padded leveling jacks
- ✓ Built-in safety brakes

The perfect lifts for all venues:

- Changes from operating to stored position in less than five minutes
- Rolls into standard box truck
- All black —no draping needed
- Sturdy construction for operating in windy conditions

No Cable in Operator's Face

Guide Roller Directs Cable Evenly on Winch Drum



Steel Operator Tube

Reposition Winch Handles After Operating



Handles in stored position



Handles removed for safety during performance

Bubble Vial for Leveling

Auxiliary Wheels Make Rolling Lift into Vans Easy

Large, Non-marring Wheels for Transport and Positioning (Eventer 16 Only)

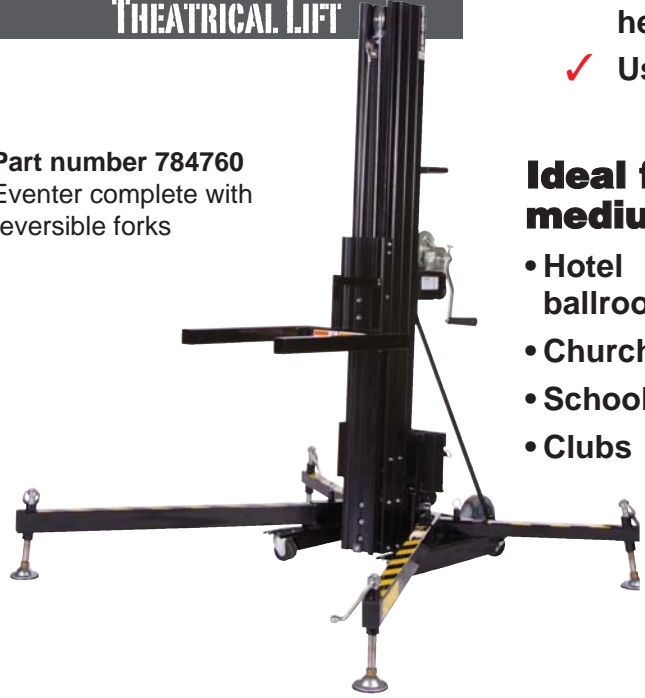
ENTERTAINMENT INDUSTRY



EVENTER 16

THEATRICAL LIFT

Part number 784760
Eventer complete with reversible forks



- ✓ 16' (4.9 m) lift height
- ✓ 500 lb (225 kg) lift capacity
- ✓ Load lift at comfortable height
- ✓ Uses applied adapters

Ideal for small to medium venues:

- Hotel ballrooms
- Churches
- Schools
- Clubs



The Eventer 16 is easily transportable



Part number 784760
Eventer 16 with reversible forks for an extra 12" (30 cm) in lift height



Part number 784761
Eventer 16 uses Applied adapter (not included)

EVENTER 20/25

THEATRICAL LIFTS

Eventer 20 (part number 783801)

- ✓ 20' (6.4 m) lift height
- ✓ 800 lb (360 kg) lifting capacity
- ✓ Adjustable and reversible forks
- ✓ Lifting bar for hoisting lift

Eventer 25 (part number 783800)

- ✓ 25' (7.8 m) lift height
- ✓ 650 lb (300 kg) lifting capacity
- ✓ Adjustable and reversible forks
- ✓ Lifting bar for hoisting lift



Great for outdoor venues:

- Concerts
- Location filming
- Concerts
- Rallies
- Pageants
- Holiday events



All Eventers are designed for compact storage



EVENTER SPECIFICATIONS:

	EVENTER 16		EVENTER 20		EVENTER 25	
Height (stowed)	78.0	198.1 cm	78.0	198.1 cm	78.0	198.1 cm
Length (stowed)	30.0	76.2 cm	27.5	69.2 cm	27.5	69.2 cm
Width (stowed)	24.5	62.2 cm	23.0	58.4 cm	23.0	58.4 cm
Length (operating)	62.0	157.5 cm	77.25	196.2 cm	77.25	196.2 cm
Width (operating)	67.0	170.2 cm	75.0	190.5 cm	75.0	190.5 cm
Height (forks up)	16-11.0	5.15 m	20-7.75	6.2 m	25-2.75	7.7 m
Height (forks down)	15-11.0	4.85 m	18-8.5	5.7 m	23-3.5	7.1 m
Height (boom -Eventer 16 only)	16-16.0	5.03 m				
Ground Clearance	3.75	9.5 cm	3.25	8.3 cm	3.25	8.3 cm
Load Height (min)	5.75	14.6 cm	8.5	21.6 cm	8.5	21.6 cm
Load Center (min)	12.0	30.5 cm	13.0	33.0 cm	13.0	33.0cm
Load Capacity (at load center)	500.0 lb	225.0 kg	800.0 lb	360.0 kg	650.0 lb	300.0 kg
Lift Weight	279.0 lb	126.8 kg	469.0 lb	215.0 kg	514.0 lb	235.0 kg
Fork Width (min)	19.0	48.3 cm	16.0	40.6 cm	16.0	40.6 cm
Fork Width (max)	19.0	48.3 cm	25.0	63.5 cm	25.0	63.5 cm
Fork Length	23.5	59.7 cm	28.0	71.1 cm	28.0	71.1 cm
Fork Weight	18.0 lb	8.2 kg	41.0 lb	19.0 kg	41.0 lb	19.0 kg
Boom Weight (Eventer 16 only)	14.0 lb	6.4 kg				
Winch Rotation	8 / foot	24 / m	5.25 / ft	17 / m	5.25 / ft	17 / m



Sumner Manufacturing Co., Inc.

www.sumner.com

7514 Alabonson Road
Houston, Texas 77088

voice: (281) 999-6900
fax: (281) 999-6966

In Canada: 75 Saltsman Drive, Unit 5
Cambridge, ON N3H 4R7

voice: (519) 653-5300
fax: (519) 653-5305

In the UK: Unit 16A
Blackpole Trading Estates East
Blackpole Road
Worcester, Worcestershire
WR3 83G
Voice: (44) 01905 458 333
Fax: (44) 01905 458 222