

EL-405 STACKER LIFT

SUMNER

Sumner Manufacturing Co, Inc.

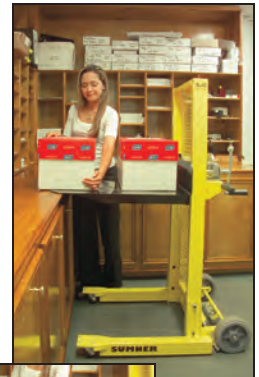
Perfect For Common Lifting & Loading Tasks



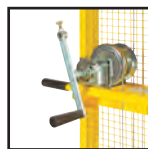
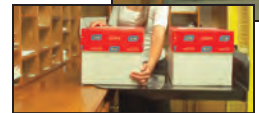
- EL-405 Features:**
- Lifts up to 400 lb (180 kg)
 - 4' 5" (135 cm) lifting height
 - Two-speed winch handle
 - Quick-action wheel brake
 - Large 24 x 28" (61 x 71 cm) lifting tray



Ideal for lifting large boxes, generators, pumps, tooling, etc.



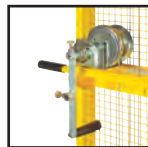
Shelf overlap feature for ease of loading



High Speed



Low Speed



Storage

Enclosed frame for safety

No cable in operator's face

Winch handle has two drive positions

Convenient steering handles

Quick action wheel brake



MADE IN USA



EL-405 STACKER LIFT



Quick-action retention strap holds load on lift tray. Strap features retractor to house loose strap, has a seat belt style push button release and a ratchet tightening mechanism.



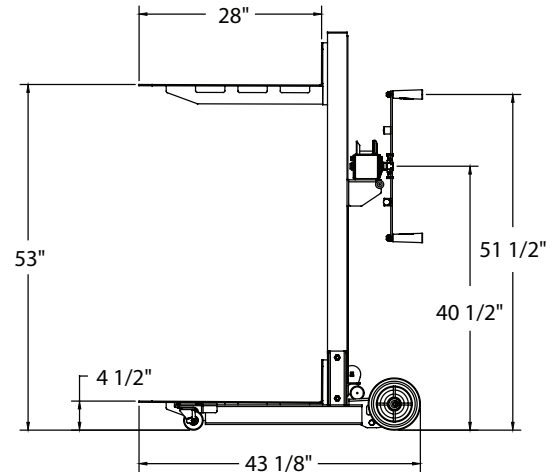
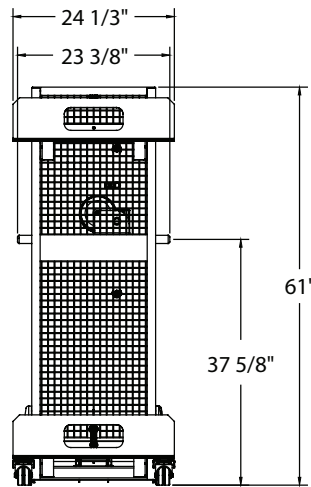
Ideal, adjustable work platform for repair shops.



Great for loading customer vehicles.

EL 405 Extension Strap Kit (Part No. 784685)

An additional seat belt type strap may be attached to the bottom of the tray to provide securing of bulky cargo. With the combination of the ratchet strap and extension strap, a total 8.5' (2.5 m) is available for cargo hold down.



Part No.	Description	Max Height		Lifting Capacity		Lift Weight		Shipping Weight	
		Feet	Meter	lb	kg	lb	kg	lb	kg
784650	EL-405 Stacker Lift	4' 5"	1.35	400	180	170	78	235	106.6

SUMNER

Sumner Manufacturing Co, Inc.
www.sumner.com

Sumner - U.S.

7514 Alabonson Road
Houston, TX 77088
Ph: 281-999-6900
Fax: 281-999-6966

Sumner - Canada

75 Saltsman Drive, Unit 5
Cambridge, Ontario N3H 4R7
Ph: 519-653-5300
Fax: 519-653-5305

Sumner - U.K.

Unit 16A, Blackpole Trading Estate East
Blackpole Road
Worcester WR3 8SG
Ph: (44) 01905 458333
Fax: (44) 01905 458222

DISTRIBUTED BY: